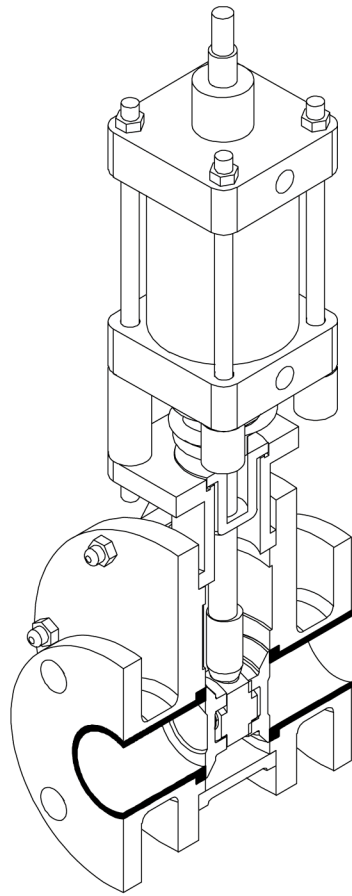
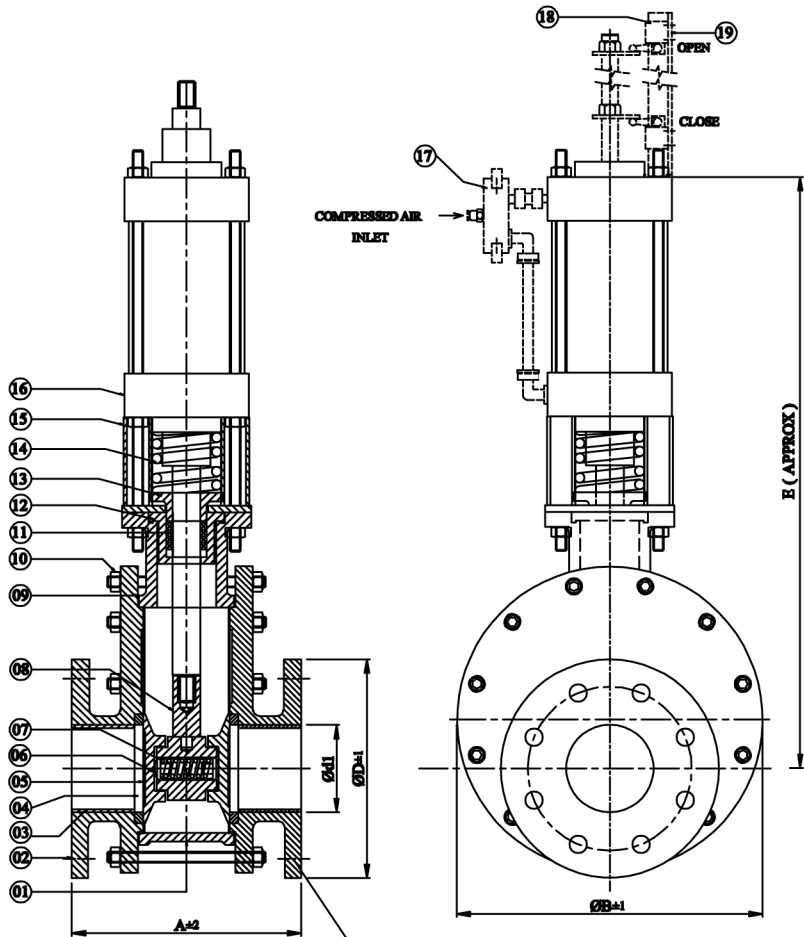


APPLICATIONS OF ASH DISCHARGE VALE :

- 1) Power plant fly ash system 2) Cement plant conveying and Silo lines.
- 3) Discharge and Vent Valve in any gravity 4) Pneumatic conveying of dry abrasive, erosive media. 5) Aluminium & Alumina conveying System.



BILL OF MATERIALS

ITEM NO.	DESCRIPTION	QTY.	MATERIAL
19	* LIMIT SWITCH BRACKET	01	FEBRICATED, MS, IS 1079,GR-0
18	* LIMIT SWITCH	02	MAKE : BHARTIA CUTLER HAMMER,
17	* SOLENOID VALVE	01	5/2 WAY , SINGLE COIL, POPPET TYPE, 240 VAC, PORT SIZE : ACCORDING TO VALVE SIZE .
16	PNEUMATIC ACTUATOR	01	DOUBLE ENDED, HIGH SPEED PNEUMATIC ACTUATOR
15	SPACER PIPE	04	STEEL TUBE
14	GLAND SPRING	01	SPRING STEEL, IS 4454.
13	GLAND	01	LEADED TIN & BRONZE IS: 318 Gc.2.
12	STUFFING BOX	01	LEADED TIN & BRONZE IS: 318 Gc.2.
11	GLAND PACKING	1 SET	KEVLAR PACKING.
10	STUD & NUT	AS PER SIZE	CARBON STEEL (HT).
09	GASKET	02	CAF
08	DISC DRIVE	01	CARBON STEEL , EN 8.
07	DISC SPRING	01	STAINLESS STEEL (AISI-304)
06	DISC FIN	02	STAINLESS STEEL (AISI-420),
05	DISC	02	WEAR RESISTAT SPECIAL ALLOY STEEL - 600 BHN(MIN)
04	SEAT RING	02	WEAR RESISTAT SPECIAL ALLOY STEEL - 600 BHN(MIN)
03	** SLEEVE	02	WEAR RESISTAT SPECIAL ALLOY STEEL - 600 BHN(MIN)
02	END COVER	02	ABRASION / CORROSION RESISTANT DUCTILE IRON UTS -400 N/mm ² , HARDNESS : 220 BHN (MIN.)
01	MIDDLE RING	01	ABRASION / CORROSION RESISTANT DUCTILE IRON UTS -400 N/mm ² , HARDNESS : 220 BHN (MIN.)

* OPTIONAL
 ** WEAR RESISTAT SPECIAL ALLOY STEEL REPLACEABLE SLEEVE TO INCREASE LIFE CYCLE (OPTIONAL)

DIMENSIONAL DETAILS

SL. NO.	SIZE	A	ØB	Ød1	ØD	***E	N	ØH	ØF
01.	40 NB	179	190	40	150	385	4	16	98
02.	50 NB	179	200	50	152	400	4	19	121
03.	65 NB	210	248	65	185	480	4	19	140
04.	80 NB	210	284	80	200	500	4	19	152
05.	100 NB	248	336	100	229	572	8	19	190
06.	125 NB	267	385	125	254	670	8	22	216
07.	150 NB	267	456	150	285	740	8	22	241
08.	200NB	343	550	200	345	865	8	22	298
09.	250 NB	381	706	250	406	1140	12	25	362
10.	300 NB	381	816	300	483	1300	12	25	432

*** This dimension depend on the Mfg. of Pneumatic Cylinder.

SERVICE SPECIFICATION :

- 1] End connection : ANSI B 16.1 Class 125 or suit customer requirement.
- 2] Working Pressure : 6 Kg/Cm².
- 3] Operating Temperature : 250° C

TEST SPECIFICATION :

- 1] Tight Shut Off Test Done in Assembled Condition at 6 Kg/Cm² Pneumatic Pressure.
- 2] Instrument Air Pressure Should be 3-5 Kg/Cm².
- 3] Operational Test Done for 500 Cycles.

NOTE : ALL DIMENSION ARE IN mm. UNLESS OTHERWISE STATED

DEPT.	NAME	DATE
DRAWN	P. MAITI	25.07.09
CHK'D	P. MAITI	27.07.09
APPV'D	S. SAHA	27.07.09
MFG		

G. A. FOR ASH DISCHARGE VALVE

CONCAST ENGINEERING PVT. LTD.



DWG NO. :
CE-ADV-007-CPP-09

EDITION : 00
DATE : 27/07/2009
SHEET : A4

MATERIAL : WEIGHT: Kg SCALE : NTS SHEET 1 OF 1 CAD FILE NAME : G A OF ADV CPP